

Air hydraulic jacks

Low telescopic jack with short chassis



Keyword:
Compac A4020-C

Short design for easy manoeuvrability.

Min. height
150 mm.



Extremely low telescopic jack for low access busses



Keyword:
Compac A5816-C

Durable 3-stage cylinder provides relatively high maximum lifting height.

Min. height
only 120 mm.



	Model	Max (Ton)	A (mm)	B1 (mm)	B2 (mm)	B3 (mm)	C (mm)	D (mm)	E (mm)	F (mm)	Kg
①	A3216-C	32/16	150	220	300	-	495	168	310	1230	43
②	A4020-C	40/20	150	220	300	-	495	168	310	1230	44
③	A5816-C	58/32/16	120	165	210	255	665	130	305	1360	52
④	A28-HC	28	350	580	-	-	735	350	280	1230	58
⑤	A5830-C	58/30	220	330	450	-	1050	150	350	1360	80

Extra high air hydraulic jack for agricultural machinery



Maximum height 780 mm
by utilization of
the 3 extensions.



Heavy duty 1-stage cylinder
with long lifting stroke.

Accessories

0Y1600



Extensions set.
3 x 20 mm. 1 x 10 mm.

0Y2618



"V" saddle for lifting
on axles and round
lifting points.

0Y1407



Saddle Ø140 mm.

Telescopic jack with extra high lifting capacity



Keyword:
Compac A5830-C

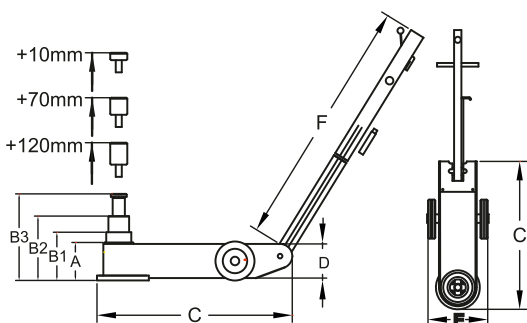


Capacity 30 ton.

Capacity 58 ton.



Long chassis for
better reach.



Standard



10 mm.



70 mm.



120 mm.